



Digital



Culture



Brian M. O'Connell
Central Connecticut
State University

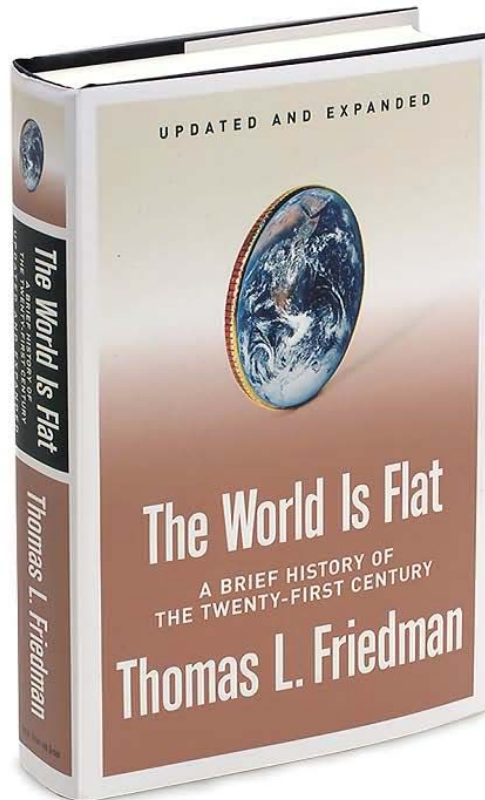


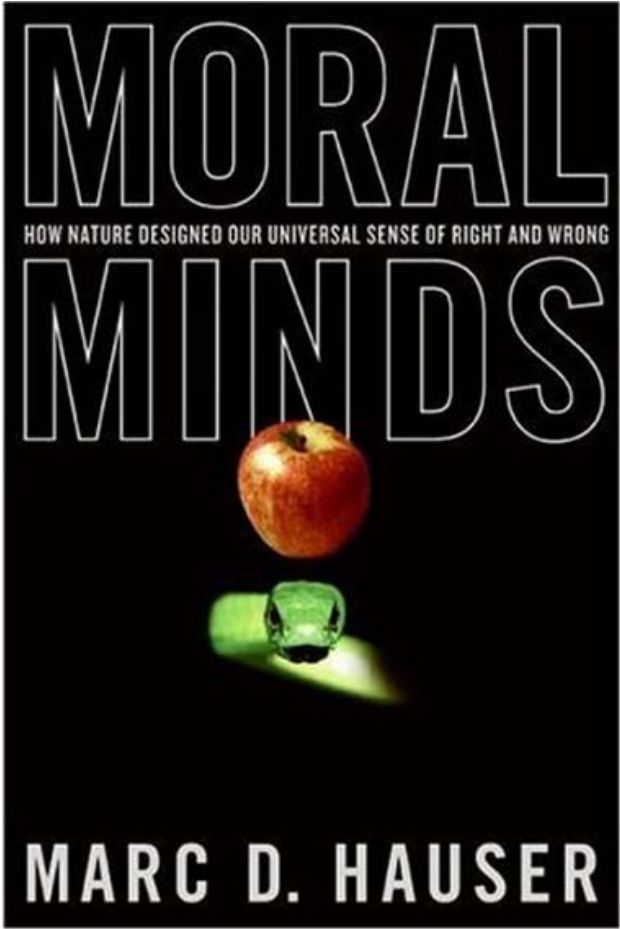
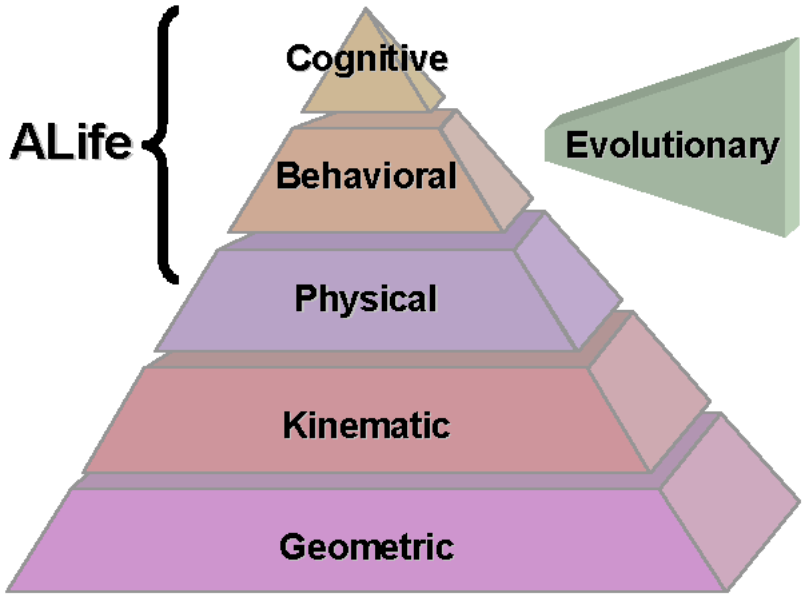


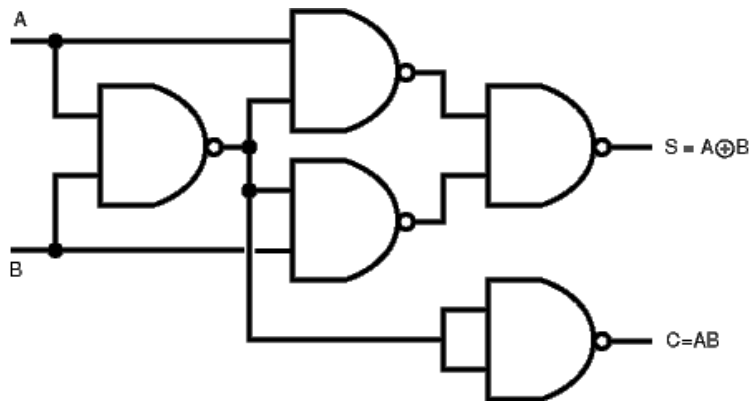
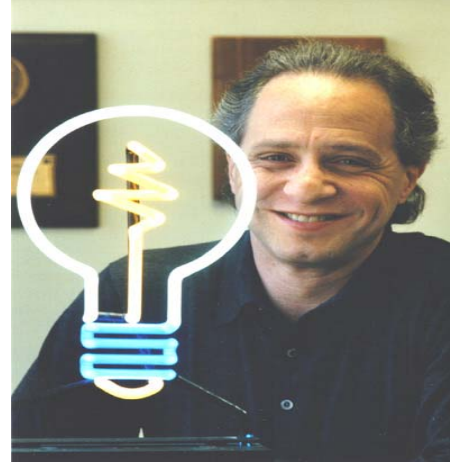
WORLD
ECONOMIC
FORUM

COMMITTED TO
IMPROVING THE STATE
OF THE WORLD

A
DECLARATION
OF THE
INDEPENDENCE
OF
CYBERSPACE
BY JOHN PERRY-BARLOW







To write a program is to legislate the laws for a world one first has to create in imagination....One would be astonished if Lord Acton's observation that power corrupts were not to apply in an environment in which omnipotence is so easily achievable.

J. Weizenbaum

[T]he online world is not a WYSIWYG environment.

T. Valovic

Thus, if there is to be a computer revolution, the best guess is that it will have a distinctly conservative character.

L. Winner

control



Computer programs are thus intellectually useful and emotionally appealing for the same reason: they create worlds without irrelevant or unwanted complexity.

S. Helmreich

Mathematics and its child, computer science, look for *total solutions*.

Davis & Hersh

Our situation is characterized both by our ignorance of new technologies and by our faith in them.

D. Vinck

reductive



[C]omputer science has initiated a debate over the coming of the "post-human": a nonbiological, sentient entity.

E. Ullman

The greatest danger of the computer is ideological.

J. Ellul

Transcendent